

# Bells

## Single Stroke

### 330 Series

Edwards 330 Series single stroke bells produce a clearly defined note for timing, scheduling, paging and general event notification. Coded, intermittent current may be used to cause the striker to gong, pause and strike again for any specified period of time.



### Features and Specifications

- Single stroke or coded intermittent stroke
- Completely assembled, all hardware supplied
- Mounts directly on surface or electrical box
- Self-compensating solenoid plunger
- Available with 4", 6" or 10" gongs
- Suitable for use in indoor applications
- Die cast housing with corrosion resistant heat flowed epoxy finish
- FM Approved (**AC bells only**)

Ordering Information							
Description	Cat. No.	Operating Voltage <sup>2</sup>	Current	VA	Gong Size	dB at 1m/10ft.	DC Coil Res (Ohms)
AC Single Stroke	<b>332-4G5</b>	24V AC	0.50 A	12	4" (102mm)	94/84	10
	<b>332-6G5</b>	24V AC	0.50 A	12	6" (152mm)	96/86	10
	<b>332-10G5</b>	24V AC	0.70 A	16.8	10" (254mm)	102/92	5
	<b>332-4N5</b>	120V AC	0.10 A	12	4" (102mm)	94/84	250
	<b>332-6N5<sup>1</sup></b>	120V AC	0.10 A	12	6" (152mm)	96/86	250
	<b>332-10N5<sup>1</sup></b>	120V AC	0.14 A	16.8	10" (254mm)	102/92	130
	<b>332-6R5<sup>3</sup></b>	240V AC	0.05 A	12	6" (152mm)	96/86	1000
DC Single Stroke	<b>333-6E1</b>	12V DC	0.60 A	7.2	6" (152mm)	96/86	18
	<b>333-4G1</b>	24V DC	0.30 A	7.2	4" (102mm)	94/84	73
	<b>333-6G1</b>	24V DC	0.30 A	7.2	6" (152mm)	96/86	73
	<b>333-10G1</b>	24V DC	0.30 A	7.2	10" (254mm)	102/92	73
	<b>333-6P1</b>	125V DC	0.06 A	7.5	6" (152mm)	96/86	1870
	<b>333-10P1</b>	125V DC	0.06 A	7.5	10" (254mm)	102/92	1870

<sup>1</sup>Diode Polarized models available. Order 332D-6N5, 332D-6N5-R or 332D-10N5-R.

<sup>2</sup>AC voltage frequency is 50/60 Hz.

<sup>3</sup>Red finish.

### Accessories

Description	Cat. No.
Grid Kit for 4" Bells	<b>340-4-GRID</b>
Flush Mount Grille for 4" Bells	<b>511-A<sup>3</sup></b>
Flush Mount Grille for 6" Bells	<b>512-A<sup>4</sup></b>
Flush Mount Grille for 10" Bells	<b>513-A<sup>5</sup></b>
Wall Box for 4" Bells	<b>511-1</b>
Wall Box for 6" Bells	<b>512-1</b>
Wall Box for 10" Bells	<b>513-1</b>

<sup>3</sup>511-A must be used with 511-1.

<sup>4</sup>512-A must be used with 512-1.

<sup>5</sup>513-A must be used with 513-1.



**340-4-GRID**



# Bells

## Single Stroke

### 330 Series

#### Signal Input Load Characteristics

These devices may be operated by PLCs with output characteristics that match the input load requirements of the signal.

Cat. No.	Operating Voltage <sup>1</sup>	Max. Off State Leakage Current (A)	Continuous On Current (A)	Surge (Inrush/Duration) Amps/Milliseconds
332-4N5	120V AC	0.025	0.100	0.41 / 4.5
332-6N5	120V AC	0.025	0.100	0.40 / 4.6
332-10N5	120V AC	0.025	0.140	0.53 / 4.5
333-4G1 <sup>2</sup>	24V DC	0.005	0.300	1.57 / 0.0001
333-6G1 <sup>2</sup>	24V DC	0.005	0.300	1.72 / 0.0001
333-10G1 <sup>2</sup>	24V DC	0.005	0.300	1.3 / 0.000182

<sup>1</sup>AC voltage frequency is 50/60 Hz.

<sup>2</sup>Electromechanical devices can produce transient spikes and should only be used on PLC output cards that have inherent transient spike suppression. Consult the PLC manufacturer prior to connecting 24V DC electromechanical devices to PLCs.

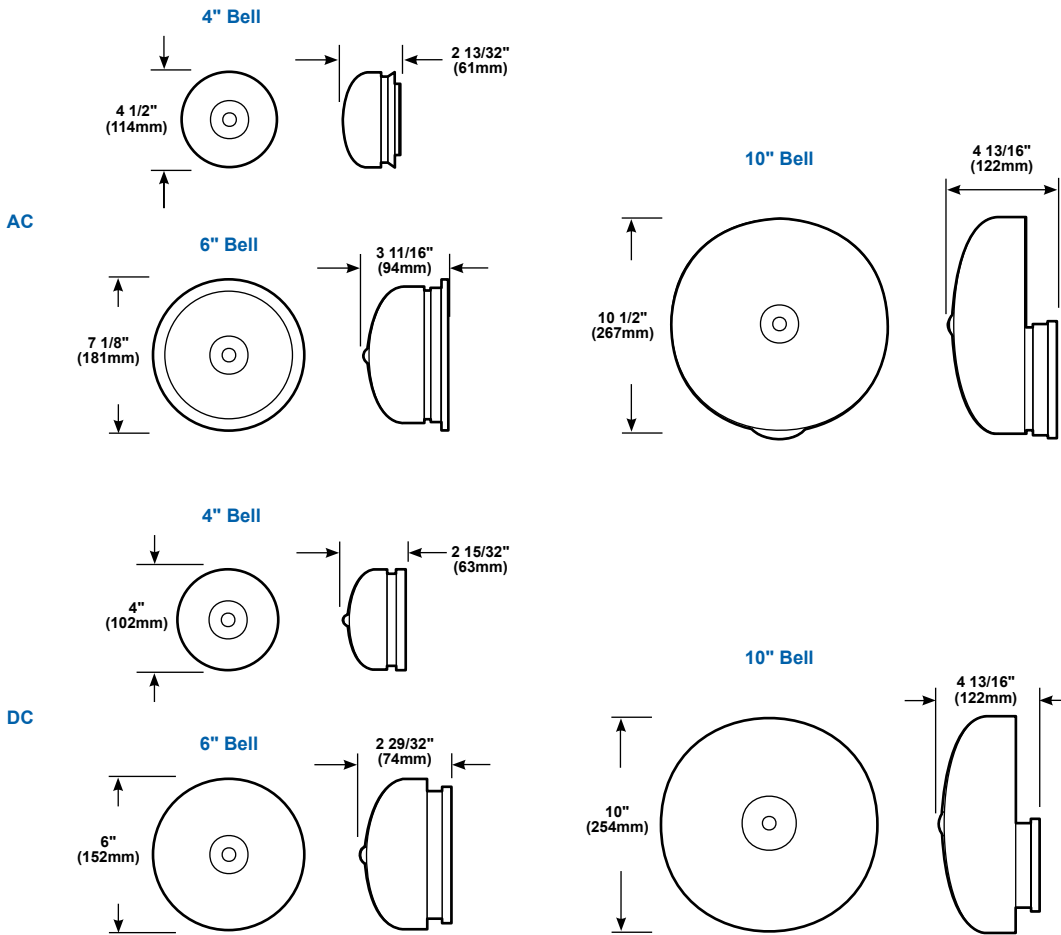
#### Weights and Dimensions

Cat. No.	Approx. Net Weight (lb.)	Approx. Shipping Weight (lb.)	Dimensions				
			Diameter	Depth	Width	Height	Length
332-4G5	1.85	2.50			See Drawing		
332-4N5	1.85	2.50			See Drawing		
332-6G5	3.40	3.66			See Drawing		
332-6N5	3.40	3.66			See Drawing		
332-6R5	3.40	3.66			See Drawing		
332-10G5	6.45	7.00			See Drawing		
332-10N5	6.45	7.00			See Drawing		
333-4G1	1.85	2.50			See Drawing		
333-6E1	3.40	3.66			See Drawing		
333-6G1	3.40	3.66			See Drawing		
333-6P1	3.40	3.66			See Drawing		
333-10G1	6.45	7.00			See Drawing		
333-10P1	6.45	7.00			See Drawing		
340-4-GRID	0.21	0.50	5 5/8" (143mm)	3 1/2" (89mm)	—	—	—
511-A	2.00	2.50	—	—	—	10" (254mm)	10" (254mm)
512-A	2.00	2.50	—	—	—	12" (305mm)	12" (305mm)
513-A	3.00	3.50	—	—	—	16" (406mm)	16" (406mm)
511-1	4.00	5.00	—	3 7/8" (98mm)	—	8" (203mm)	8" (203mm)
512-1	5.00	6.00	—	4 1/4" (108mm)	—	10" (254mm)	10" (254mm)
513-1	5.00	6.00	—	5" (127mm)	—	14" (357mm)	14" (357mm)

# Bells

## Single Stroke

### 330 Series



**NOTE:** Mounts directly on surface or fits any single-gang box, 3 1/4" (83mm), 3 1/2" (89mm), or 4" (102mm) octagon box, or any plaster cover with mounting holes on 2 3/4" (70mm) centers. 6" and 10" bells also mount on 4" (102mm) square boxes.